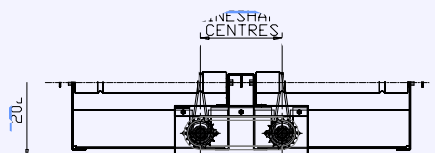
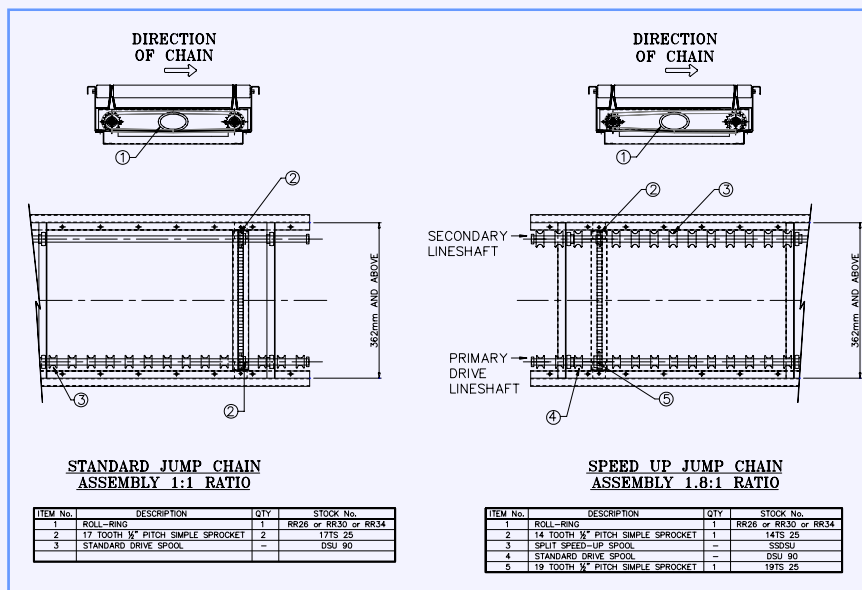


3. JUMP CHAIN ASSEMBLIES

A jump chain assembly comprises of two sprockets and chain which is used for transferring the drive between lineshafts when they are positioned on opposite sides of the conveyor.



ADJACENT JUMP CHAIN ASSEMBLY



STANDARD JUMP CHAIN ASSEMBLY 1:1 RATIO

ITEM No.	ROLL-RING	DESCRIPTION	QTY	STOCK No.
1		17 TOOTH 1/2" PITCH SIMPLE SPROCKET	2	17TS 25
2		STANDARD DRIVE SPOOL	-	DSU 90

SPEED UP JUMP CHAIN ASSEMBLY 1.8:1 RATIO

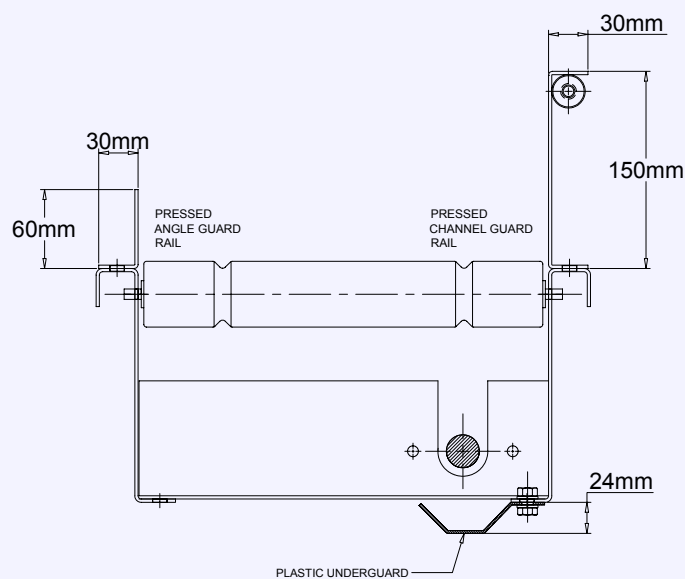
ITEM No.	ROLL-RING	DESCRIPTION	QTY	STOCK No.
1		14 TOOTH 1/2" PITCH SIMPLE SPROCKET	1	14TS 25
2		SPLIT SPEED-UP SPOOL	-	SSDSU
3		STANDARD DRIVE SPOOL	-	DSU 90
4		19 TOOTH 1/2" PITCH SIMPLE SPROCKET	1	19TS 25

4. GUARD RAIL & UNDERGUARDING

GUARD RAIL

Two types: 60mm high pressed steel angle.
150mm high pressed channel.

Supplied in 3.0 metre lengths as standard. Should odd lengths be supplied, additional holes may need to be drilled for on site fixing.



UNDERGUARDING

Lineshaft underguarding is supplied as an optional extra, this is formed from a grey plastic material, which is positioned locally to the drive shaft but does not extend fully to cover the complete underside of the conveyor.

Belt conveyors and switch units are supplied fully undersheeted as standard.

Complete, powder coated undersheeting is available if required. Please contact our Sales Team for details.

