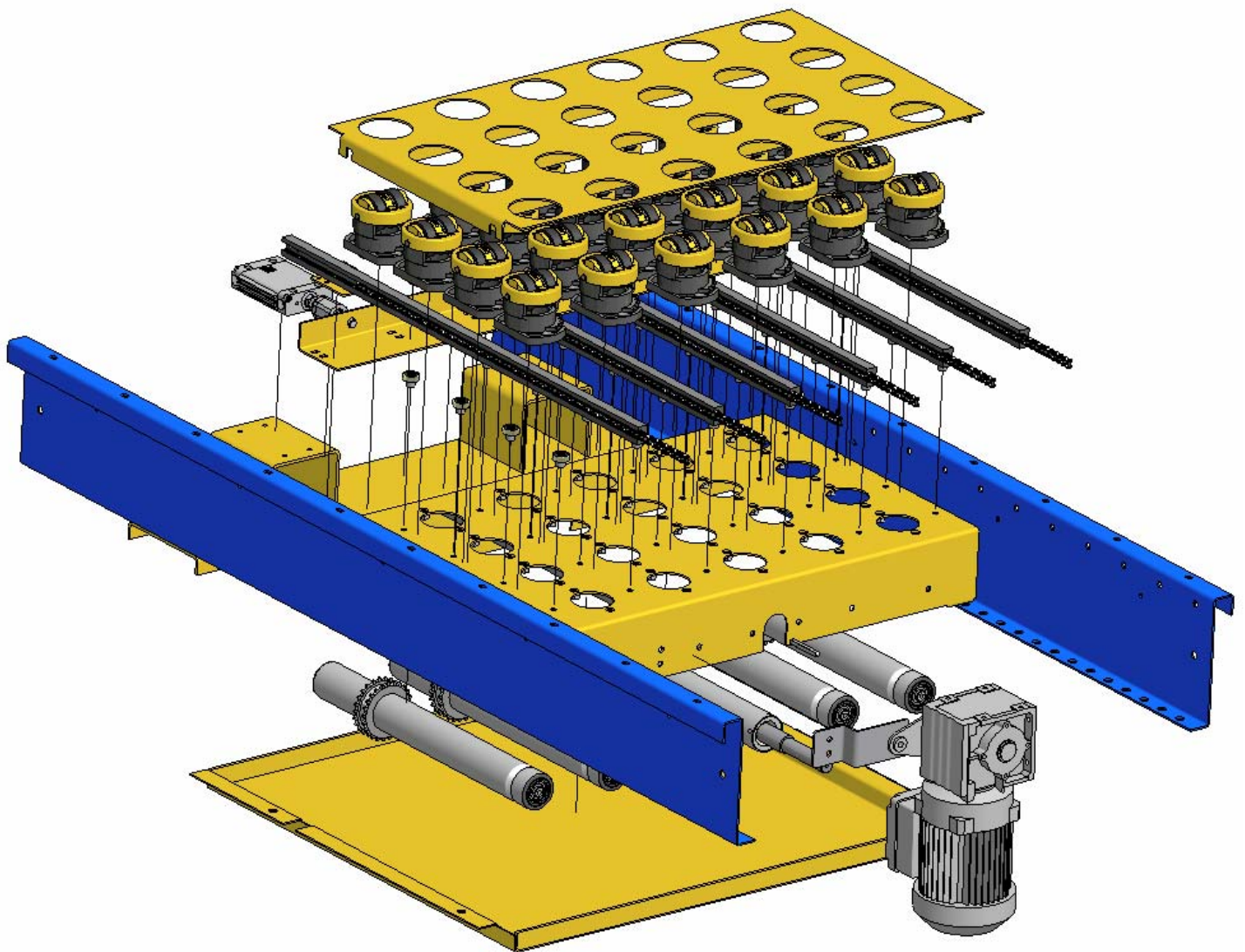




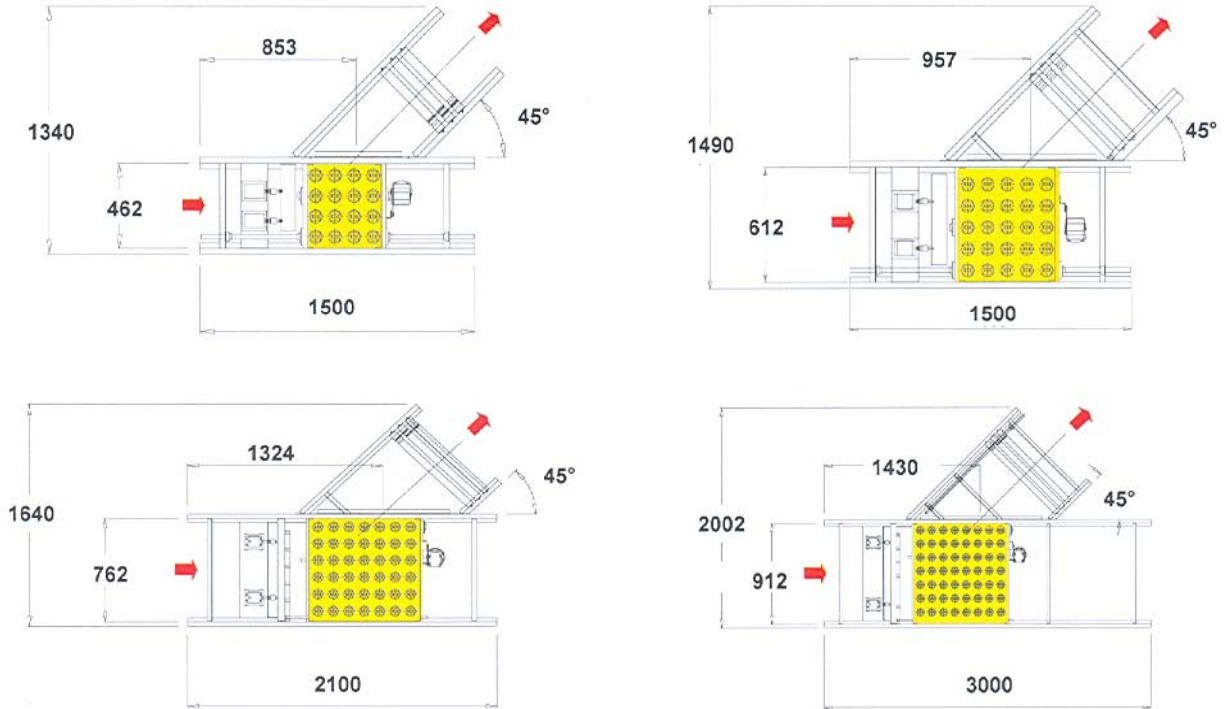
# Switch Sorter

**UNI-XU™**

Patent Pending GB 2442318A

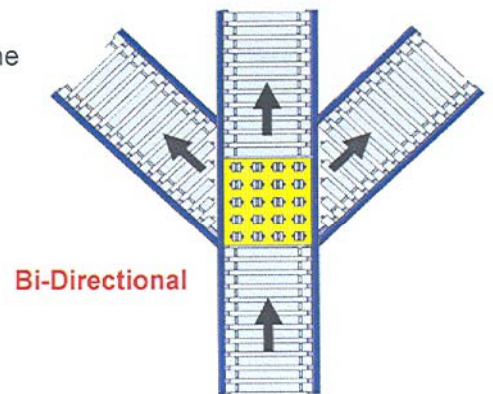


**Fast and Effective Sorting Solution**



The Switch Sorter is independently driven from a 0.37kW. SEW Motor, to give either 60 m.p.m. or 110 m.p.m. maximum linespeed of Sorter Wheels. We recommend that an Inverter is fitted to the gearbox to enable fine tuning of module.

- All Switch Sorters are capable of diverting to both left and right as the diagram shown.
- Maximum product weight per Sorter Unit = 50Kgs. (Please refer to our Sales Team for clarification).
- Sorter Wheels are rubber coated as standard.
- Units can be operated in reverse as a Merge Unit.
- 912mm Sorter can also be used as a centralising unit. (Please refer to our Sales Team for further information).



SORTER SIZE (mm)	PRODUCT MIN. (mm)	PRODUCT MAX. (mm)	PRODUCT PER HOUR MAXIMUM
462	150 x 150	350W x 520L	3500
612	150 x 150	500 x 500	3500
762	150 x 150	600 x 600	3500
912	150 x 150	750 x 750	3500

